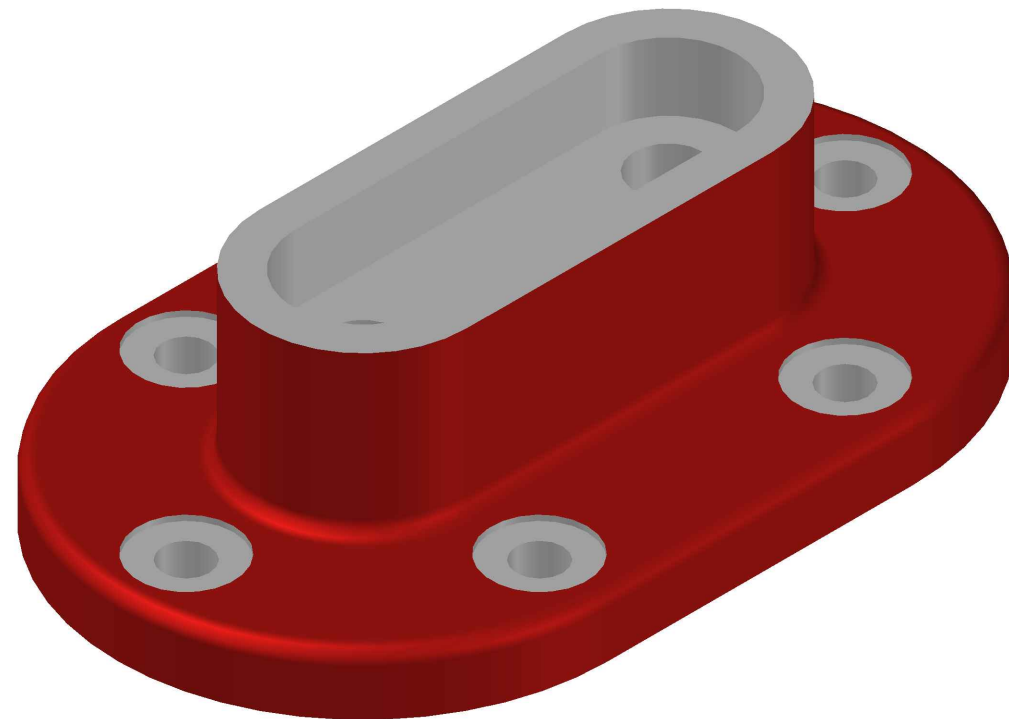


PARTS LIST

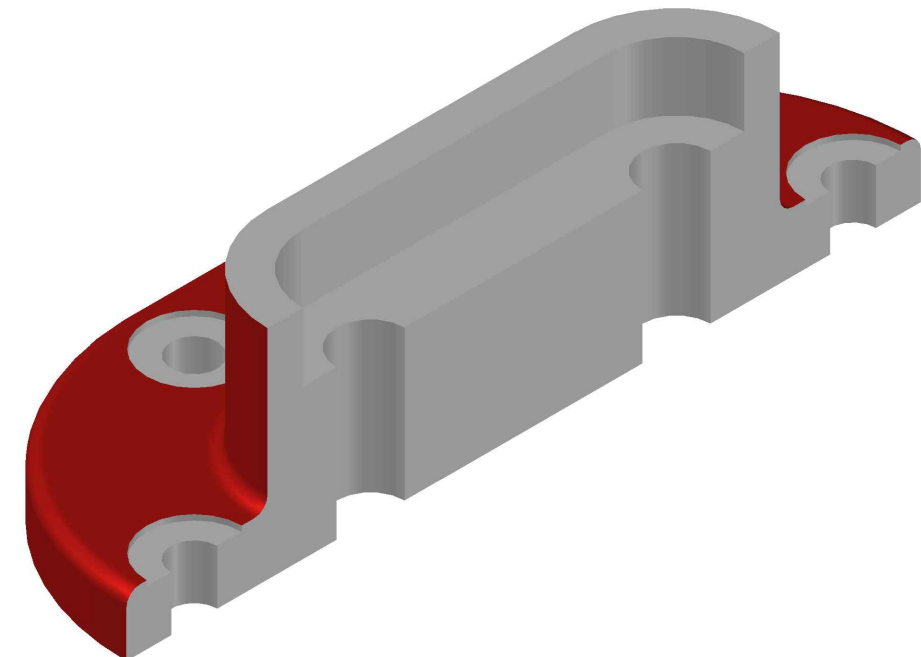
ITEM	QTY.	PART NAME	MATERIAL
1	1	SHAFT BASE	MALLEABLE IRON

LEGEND:

- ∅ DIAMETER
- R RADIUS
- ° DEGREES
- | SPOTFACE

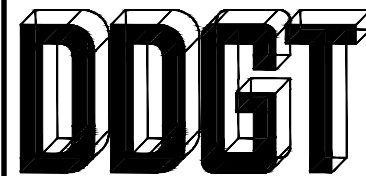


SHAFT BASE



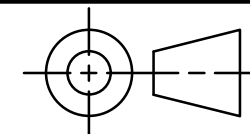
SHAFT BASE SECTION

GENERAL NOTES:
 ROUNDS AND FILLETS R.10



DIGITAL DESIGN
 GRAPHICS
 TECHNOLOGY

WWW.DDGT.NET



TOLERANCES UNLESS SPECIFIED:
 DECIMAL INCHES:
 X = ±.020
 XX = ±.010
 XXX = ±.005
 FRACTIONAL ±1/64"
 ANGLES ±1 DEGREE
 SURFACES 32/

COURSE: DDGT120

AUTOCAD DRAWING NAME:
 SHAFT BASE

FIG #: 9-35

DRAFTER: N. EBELING

DATE: 10/24/19

SCALE: 1:1

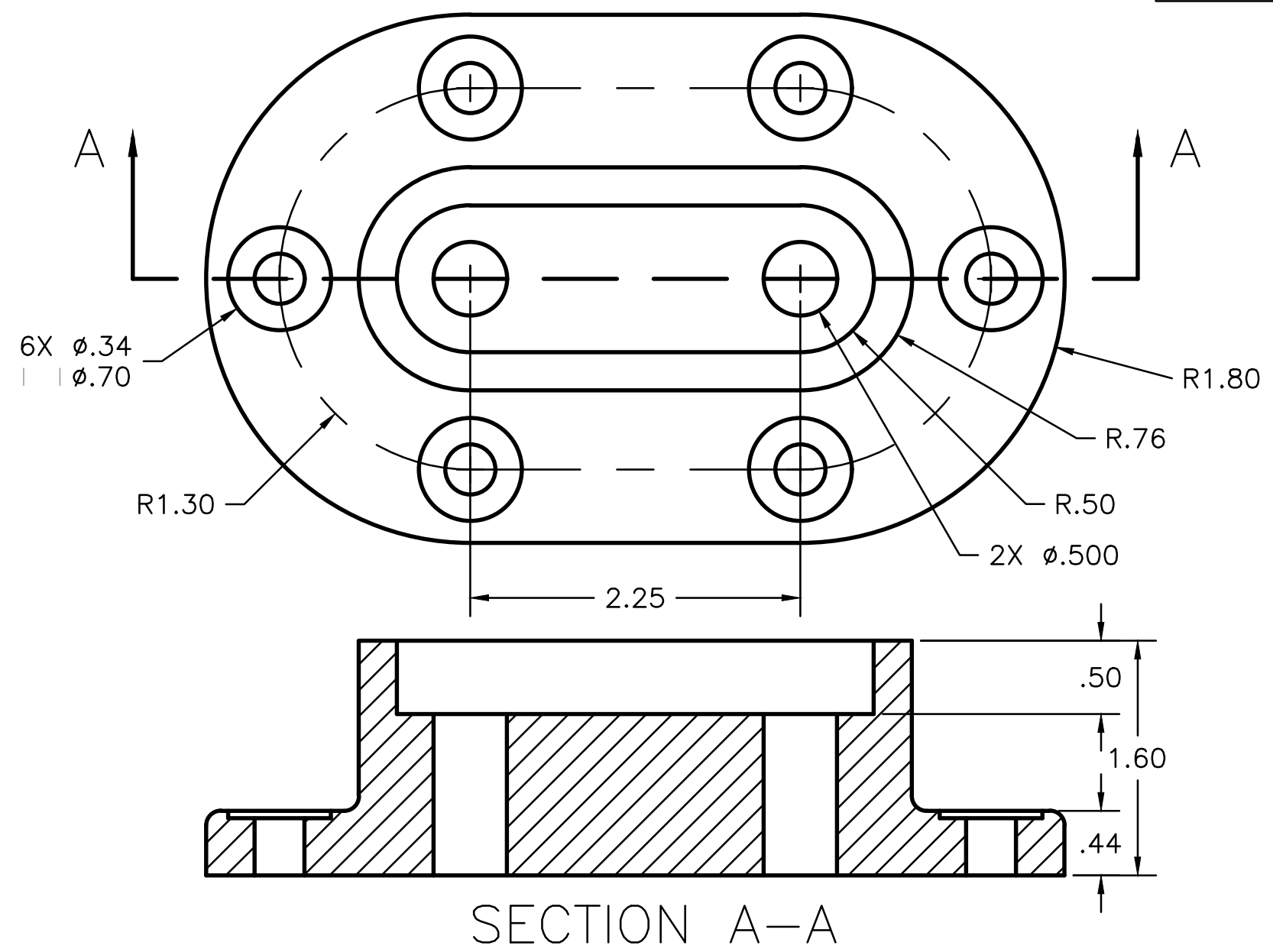
PAGE #: 1 OF 2

PARTS LIST

ITEM	QTY.	PART NAME
1	1	SHAFT BASE

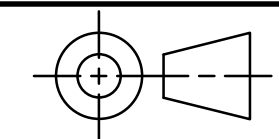
LEGEND:

- ∅ DIAMETER
- R RADIUS
- ° DEGREES
- | | SPOTFACE



GENERAL NOTES:
 ROUNDS AND FILLETS R.10

DDGT
 DIGITAL DESIGN
 GRAPHICS
 TECHNOLOGY
 WWW.DDGT.NET



TOLERANCES UNLESS SPECIFIED:
 DECIMAL INCHES:
 X = ±.020
 XX = ±.010
 XXX = ±.005
 FRACTIONAL ±1/64"
 ANGLES ±1 DEGREE
 SURFACES 32/

COURSE:	DDGT120
AUTOCAD DRAWING NAME:	SHAFT BASE
FIG #:	9-35
DRAFTER:	N. EBELING
DATE:	10/24/19
SCALE:	1:1
PAGE #:	2 OF 2